

MP Push-to-Close Point Latch

Pull-to-open

Features

- Single, round-hole installation
- Flush pop out knob
- Corrosion-resistant materials
- Keeper sold separately

Material

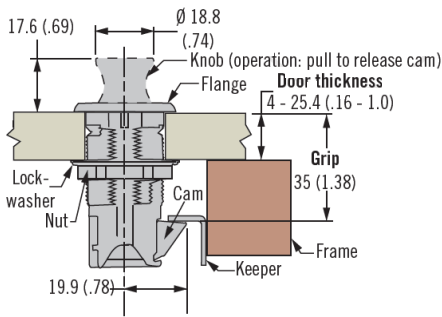
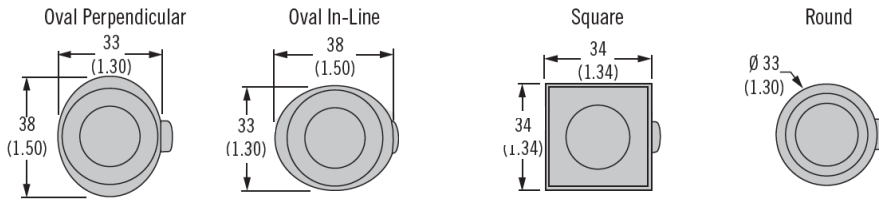
- Housing: Glass-filled nylon
- Flange and knob: Zinc alloy, plated
- Cam: Zinc alloy
- Fixed keeper: Stainless steel
- Hooded keeper: Nylon, black



Installation Notes

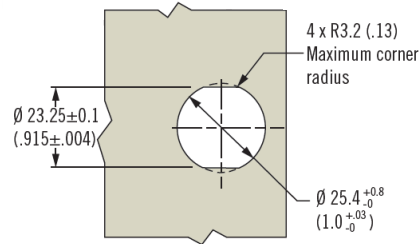
- Maximum tightening torque on mounting nut: 4.5 N.m
- Fixed keeper: Use M5 or No. 10 screws to mount (not supplied)
- Hooded keeper: Use M5 or No. 10 screws to mount (not supplied)

Housing Style

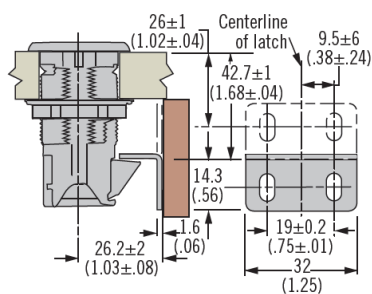


Installation

Latch Only (for keeper installation below)

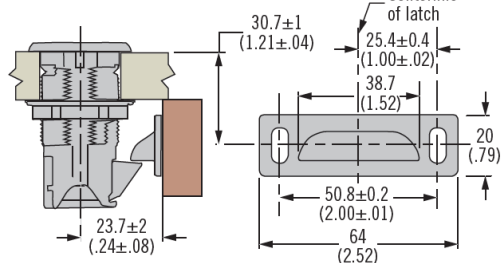


Fixed Keeper



Fixed Keeper
M1-519-4

Hooded Keeper



Hooded Keeper
MP-510-16-4

MP - 05 - H 2 - F K

H Housing style
 11 Oval perpendicular 21 Square
 12 Oval in-line 31 Round

F Flange finish
 1 Chrome plated 4 Diamond brass plated
 2 Satin chrome plated 5 Black powder coated
 3 Brushed nickel plated 6 Satin nickel plated

K Knob finish
 1 Chrome plated 4 Diamond brass plated
 2 Satin chrome plated 5 Black powder coated
 3 Brushed nickel plated 6 Satin nickel plated